



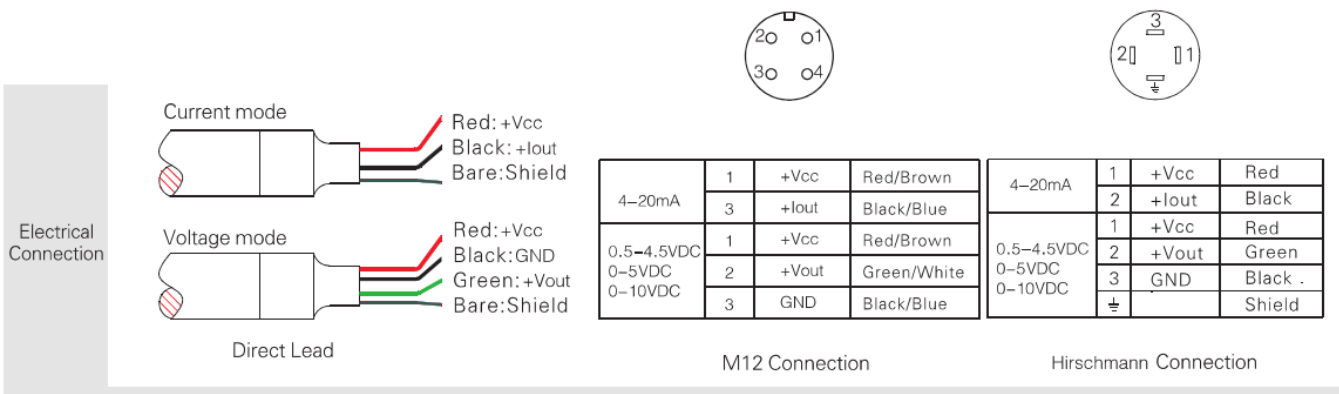
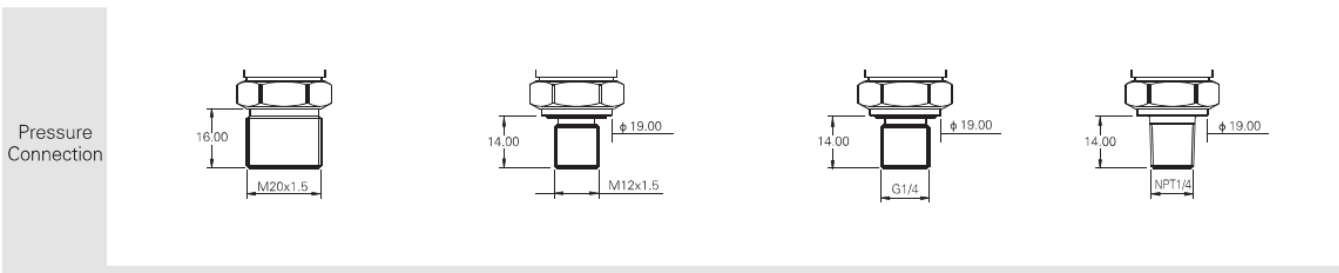
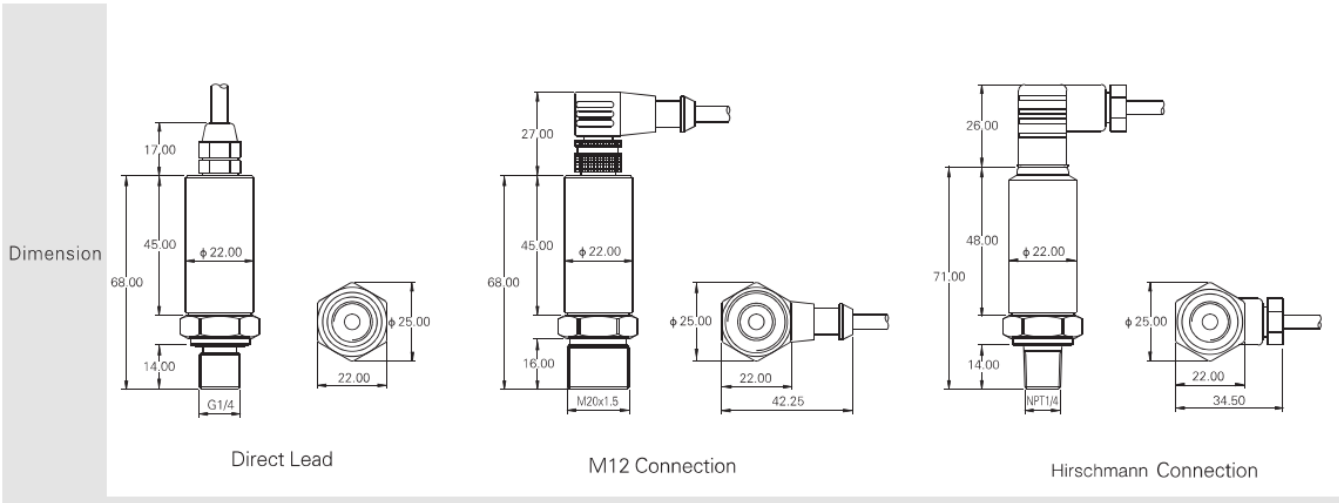
FST800-211 Universal Industrial Pressure Transmitter



Features	<ul style="list-style-type: none"> Advanced Microfused Silicon Strain Gauge, whole-designed elastomer, free of leakage troubles Efficient lightning protection and strong anti RFI&EMI protection. Advanced digital temperature compensation and wide working temperature scope High sensibility, high accuracy, high frequency response and good longterm stability 	
	Applicable Scope	<ul style="list-style-type: none"> Industrial process testing and control Automatic testing system Hydraulic and pneumatic systems Pump station and water treatment system Industrial machinery manufacture

Project	Parameter	
Standard Range	Pressure Type: gauge pressure absolute pressure sealed pressure	
	Pressure Range (bar) : 1 1.6 2.5 4 6 10 16 25 40 60 100 160 200 250 300 400 500 600	
	Pressure Range (psi) : 15 30 50 75 100 200 300 500 750 1K 1.5K 3K 5K 10K	
Technical Index	Signal output	4~20mA 0.5~4.5VDC 0~5VDC 0~10VDC
	Signal line specification	2wire 3wire 3wire 3wire
	Supply voltage	9~30VDC 5VDC 9~30VDC 15~30VDC
	Accuracy	± 0.1% FS ± 0.3% FS ± 0.5% FS
	Zero Drift	± 0.02% FS/°C
	Thermal Sensitivity Shift	± 0.02% FS/°C
	Longterm Stability (1 Year)	± 0.1% FS
	Frequency Response (-3dB)	3.2kHz
	Compensated Temperature	-20~+85°C
	Working Temperature	-40~+125°C
	Storage Temperature	-40~+125°C
	Overload Pressure	300% FS
	Burst Pressure	500% FS
	Mechanical Vibration	± 20g
	Impact (11ms)	100g
	Environmental Protection	IP65
	Wetted Parts	17-4PH
Electromagnetic compatibility(EMC)	EN61000-6	
Certificates	CE RoHS	

FST800-211 Universal Industrial Pressure Transmitter



Exempel beställningsnyckel: 211B-H420-0-6 (A-B-C-D)

A: Modell B: Elektrisk anslutning (Hirschmann 4-20mA) C: Min tryck (bar) D: Max tryck (bar)